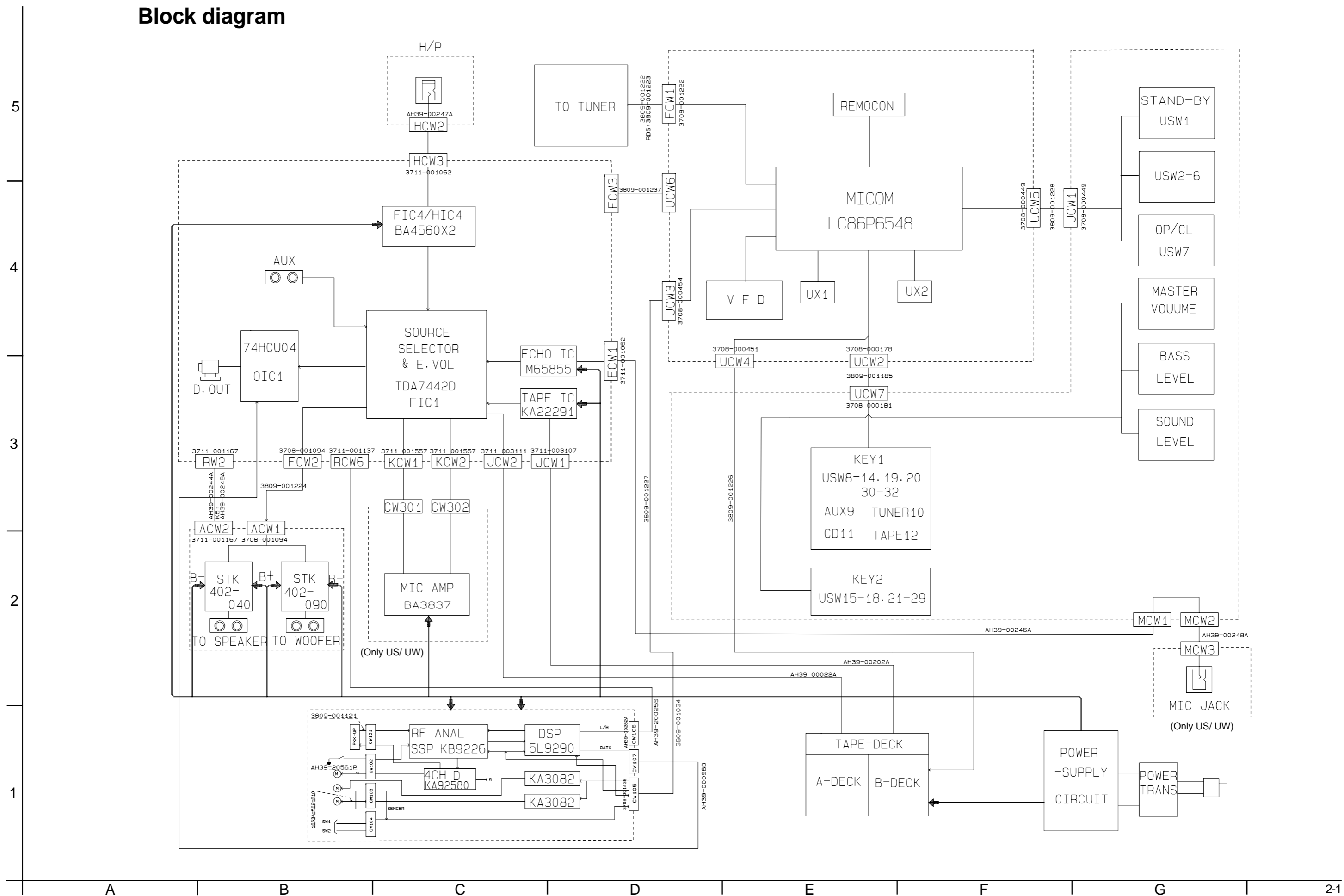


Block diagram



Standard schematic diagrams

■ Main section

SHEET 2/5

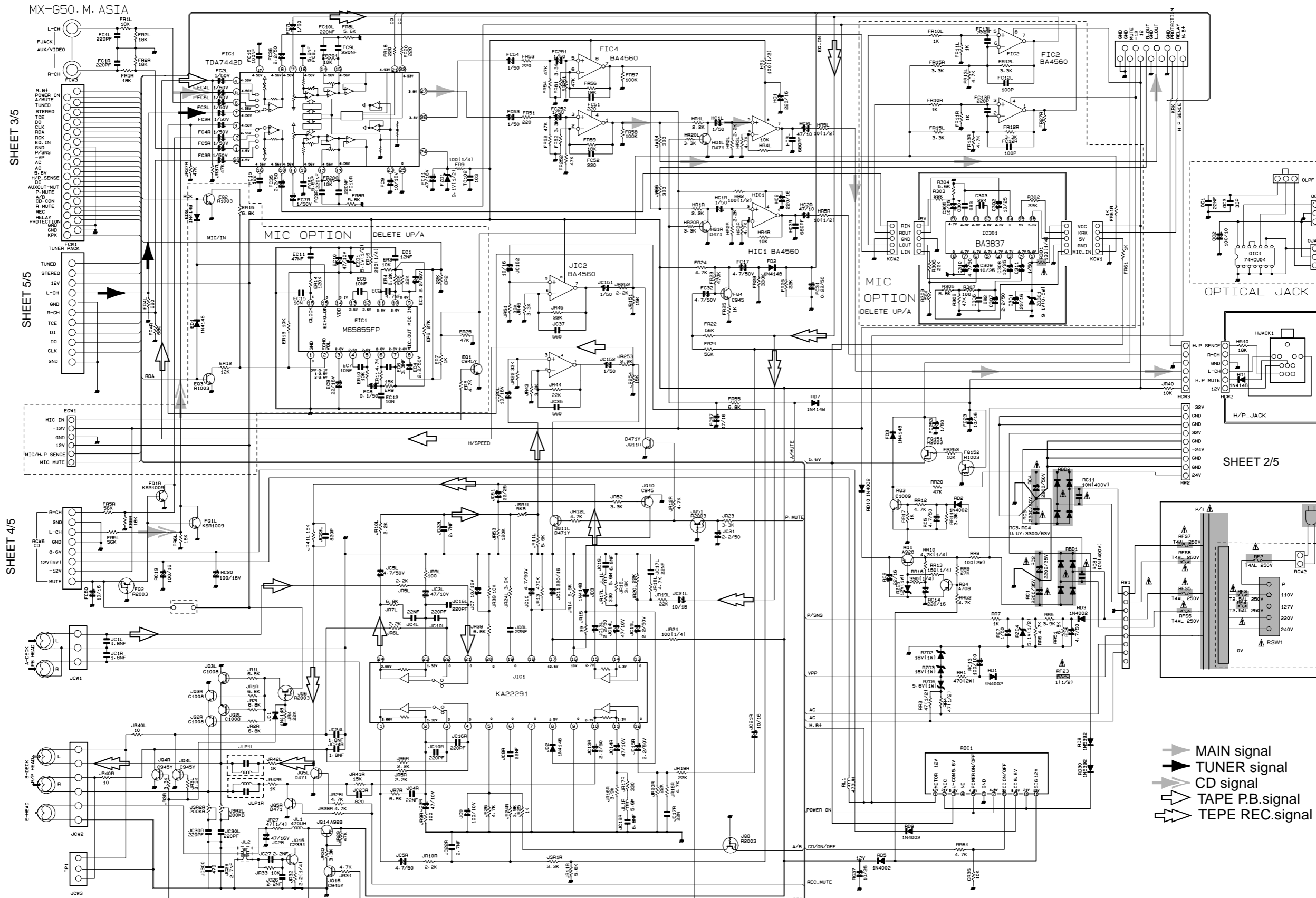
5

4

3

2

1



OPTICAL JACK

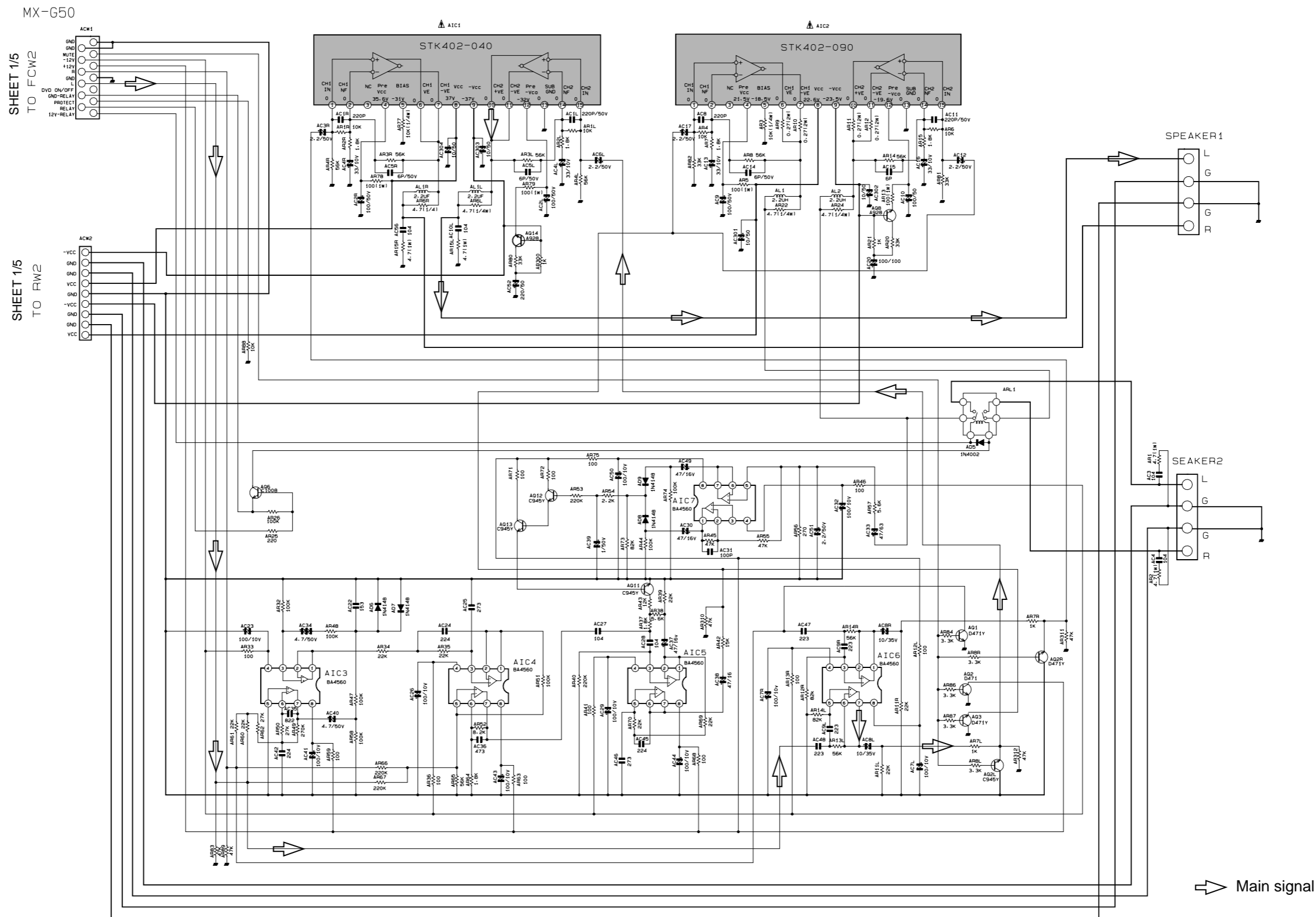
SHEET 2/5

- ➔ MAIN signal
- ➔ TUNER signal
- ➔ CD signal
- ➔ TAPE P.B.signal
- ➔ TEPE REC.signal

⚠ Parts are safety assurance parts. When replacing those parts make sure to use the specified one.

SHEET 1/5

Amplifier section



➔ Main signal

▲ Parts are safety assurance parts. When replacing those parts make sure to use the specified one.

Front control section

5

4

3

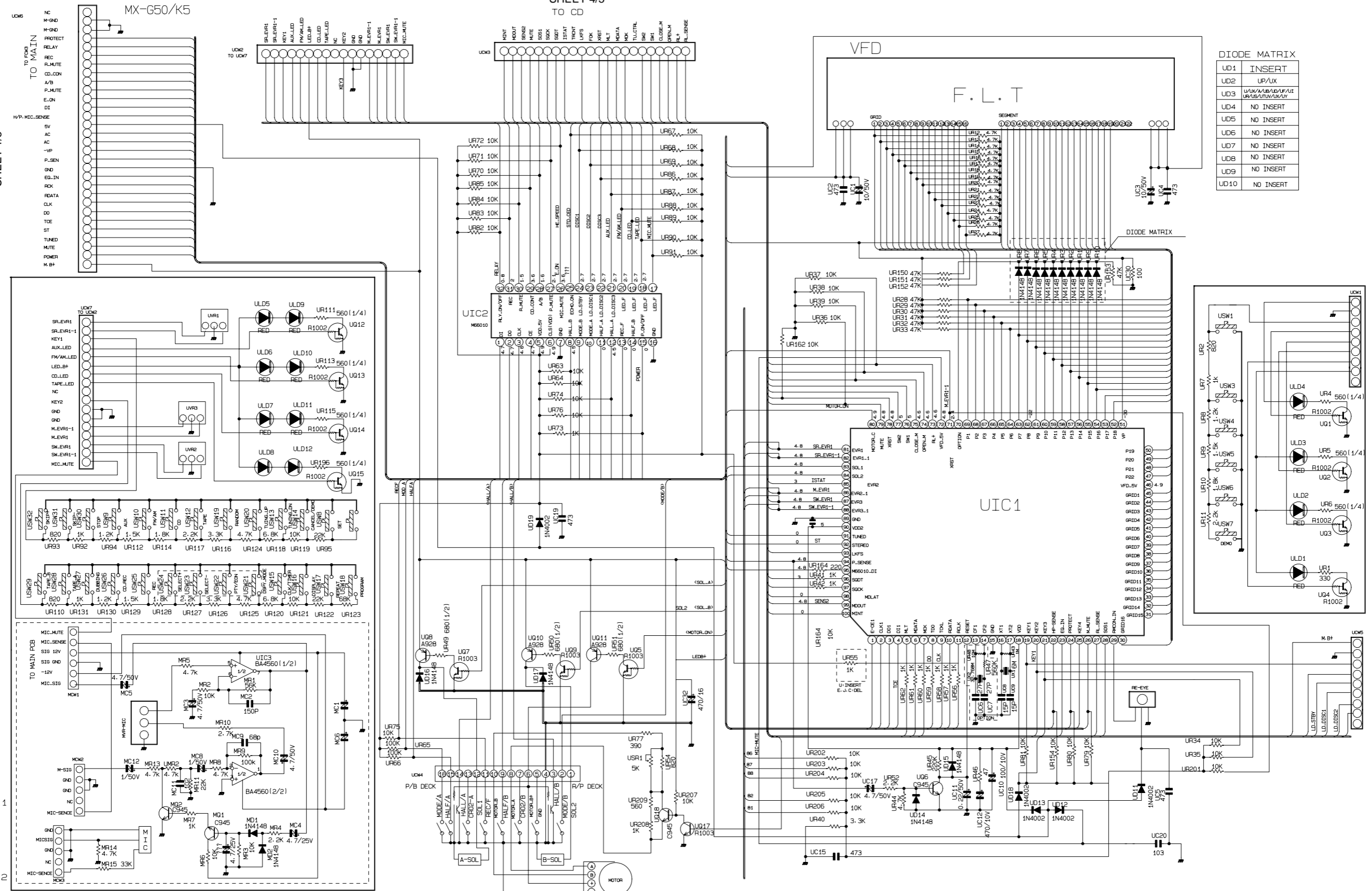
2

1

SHEET 1/5

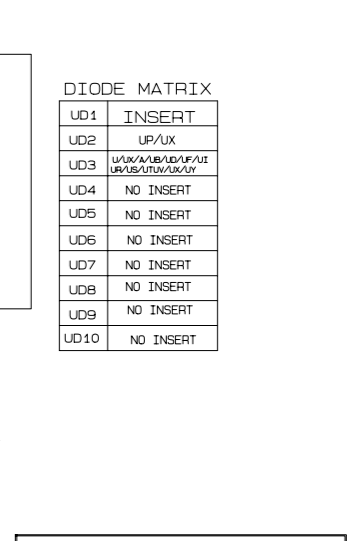
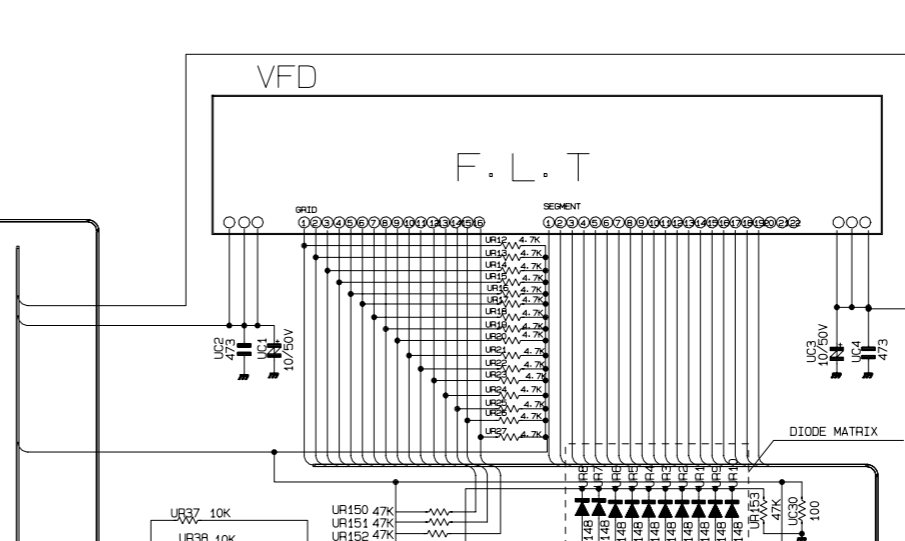
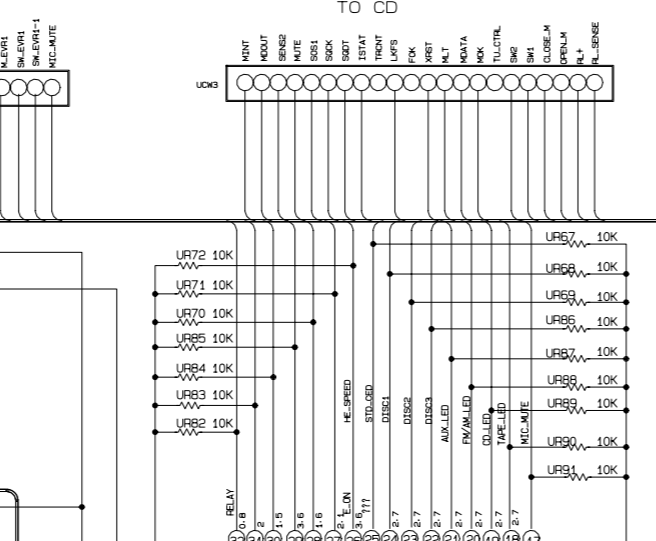
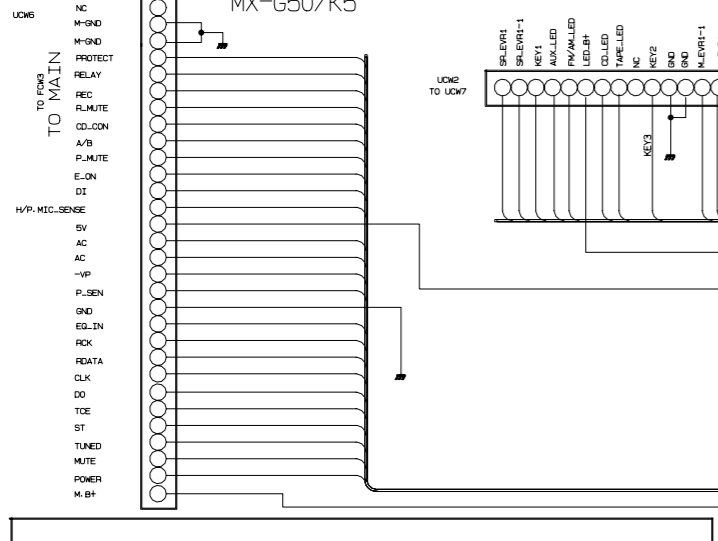
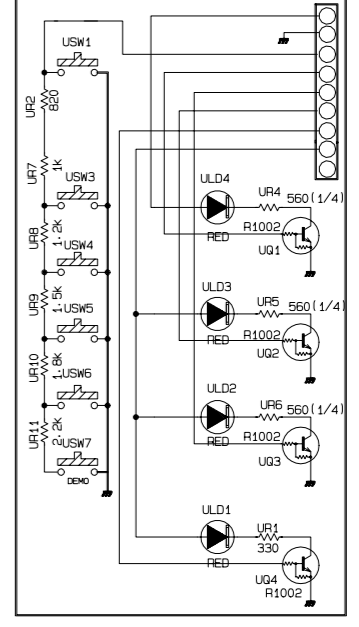
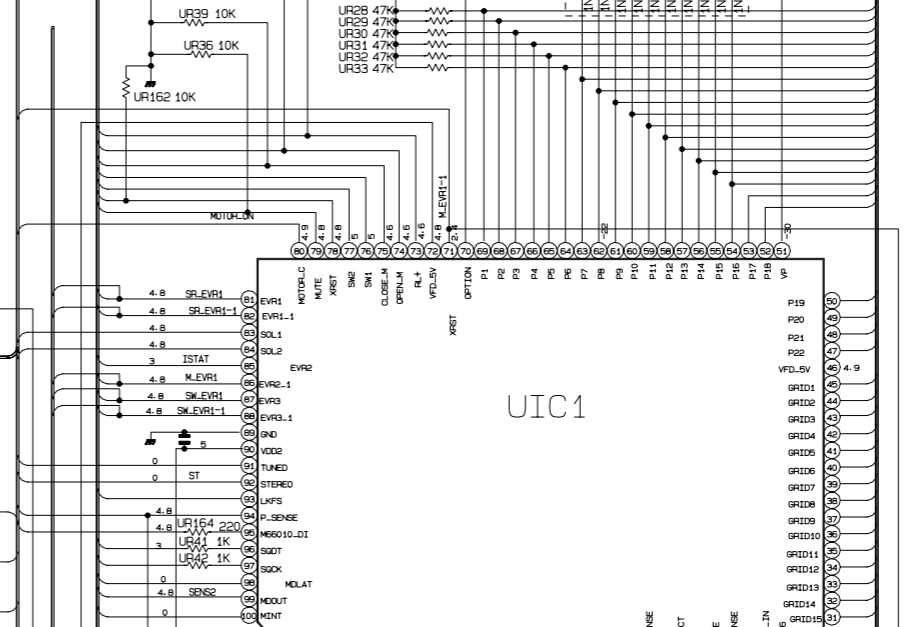
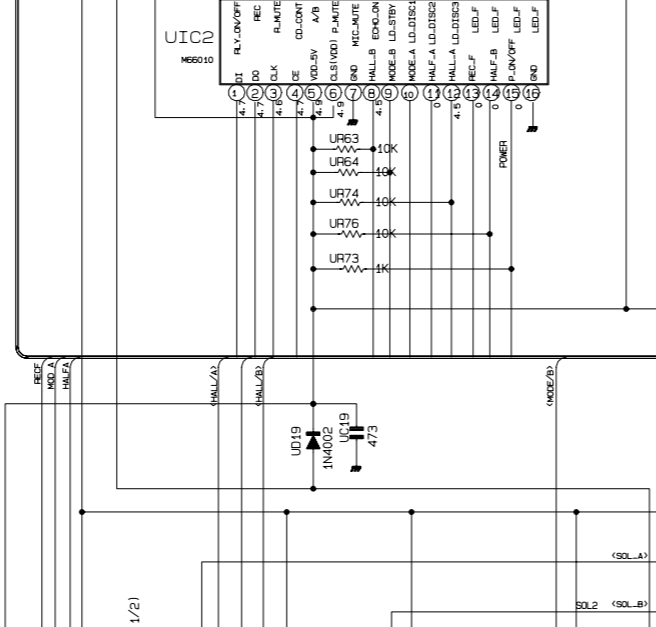
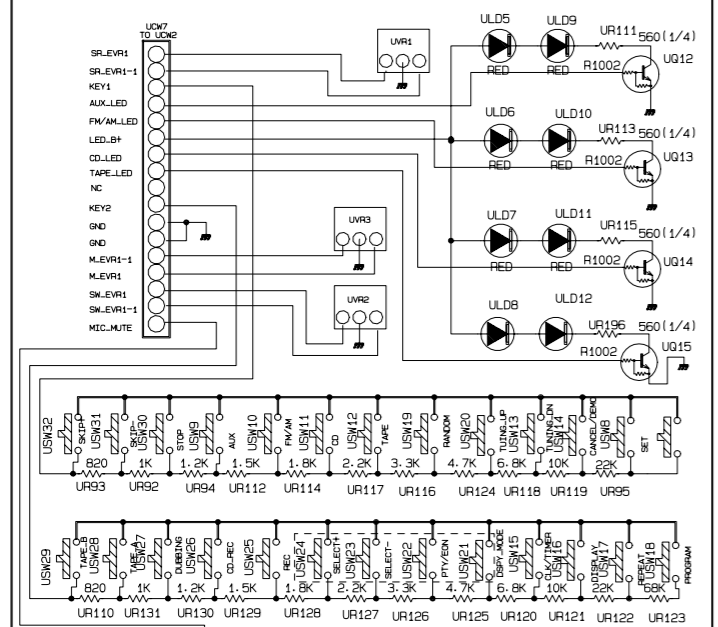
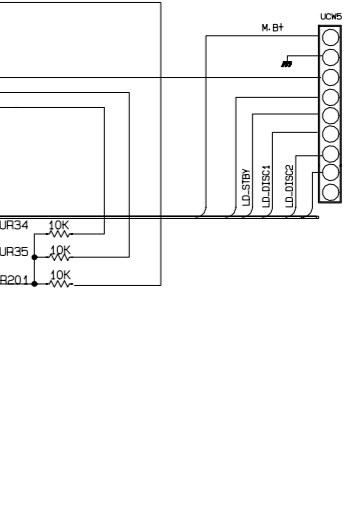
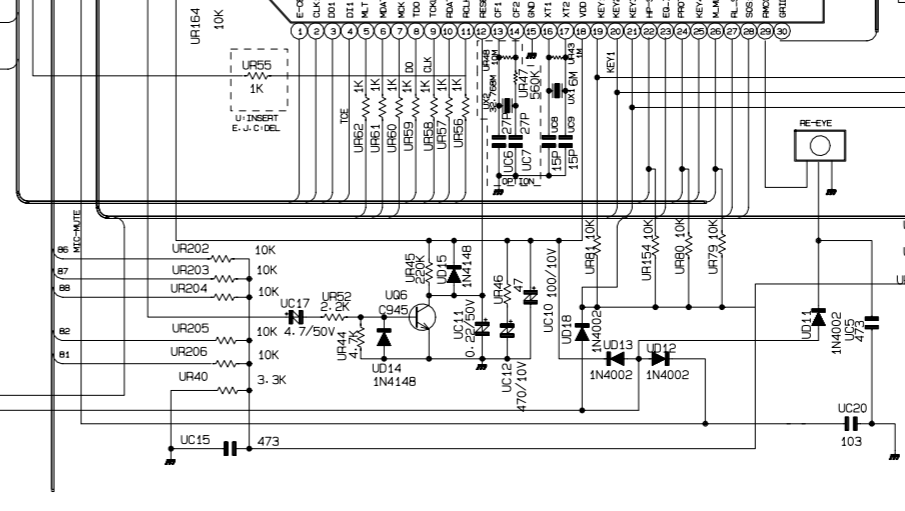
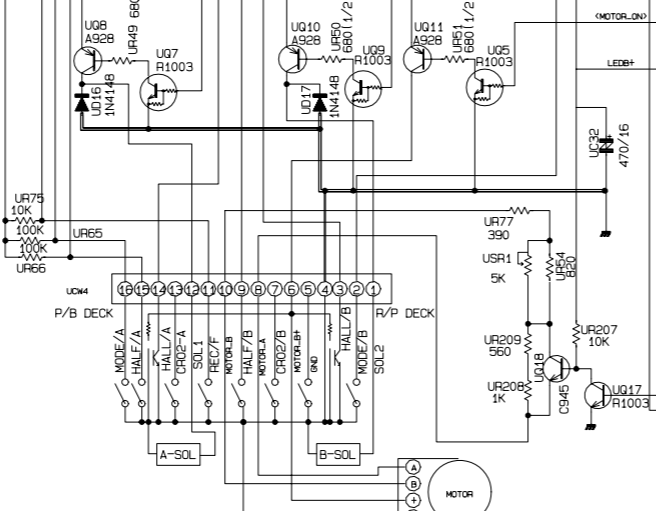
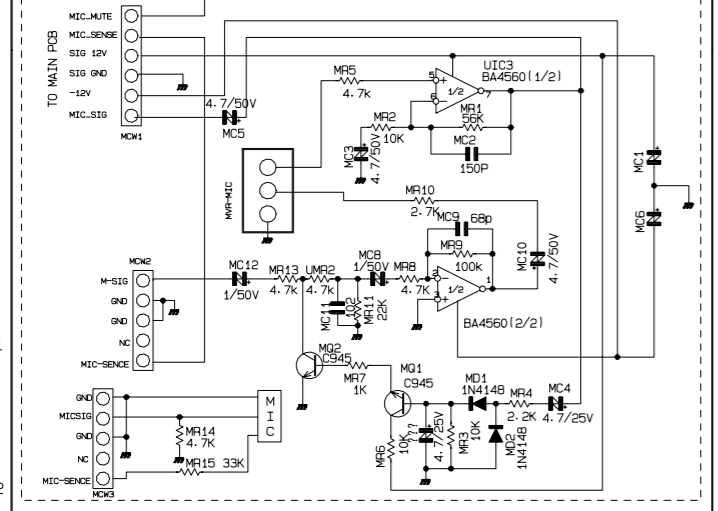
SHEET 4/5
TO CD

SHEET 3/5

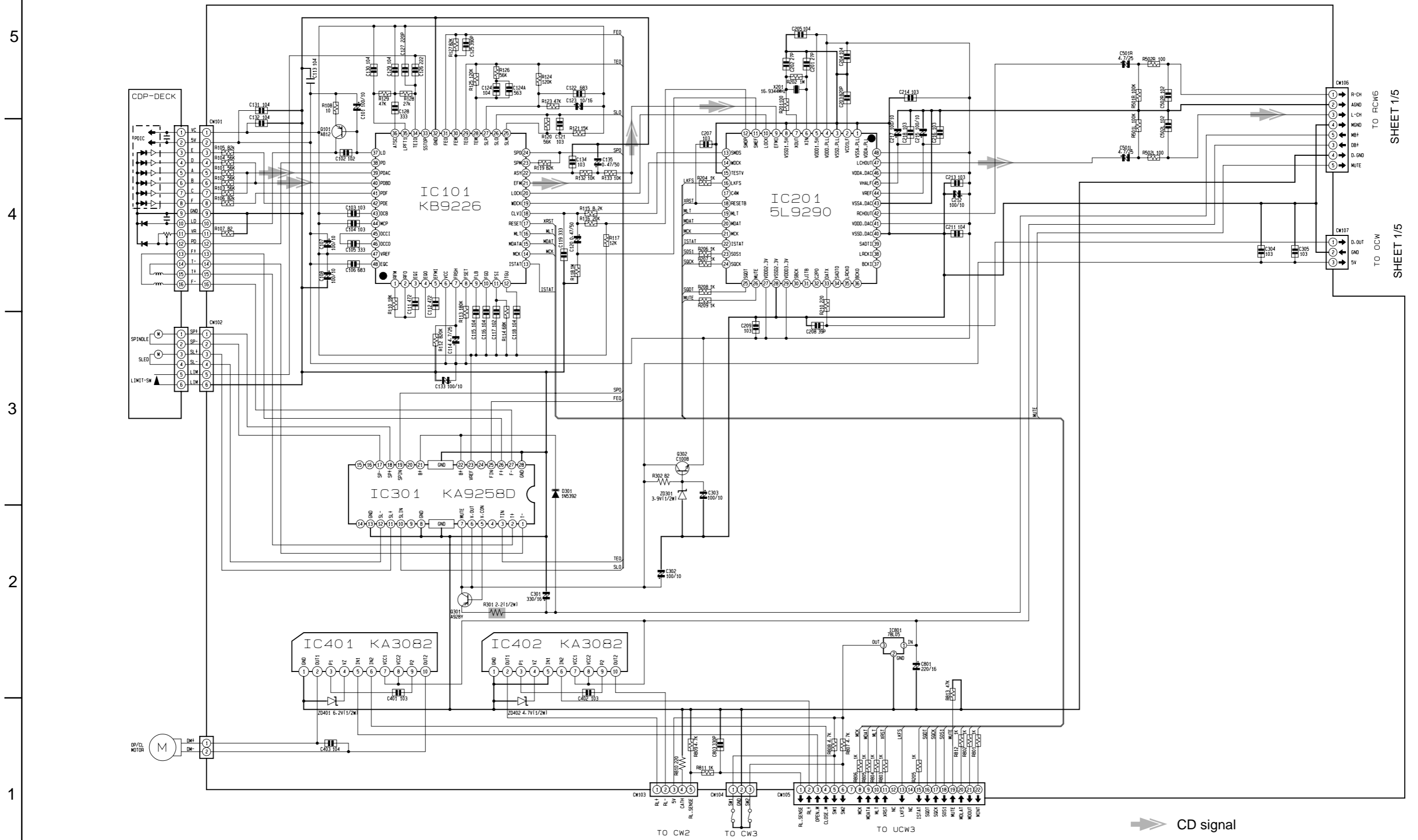


DIODE MATRIX

UD1	INSERT
UD2	UP/UX
UD3	U/A/U/B/U/D/U/F/U/T U/R/U/S/U/V/U/X/U/Y
UD4	NO INSERT
UD5	NO INSERT
UD6	NO INSERT
UD7	NO INSERT
UD8	NO INSERT
UD9	NO INSERT
UD10	NO INSERT



CD section



➔ CD signal

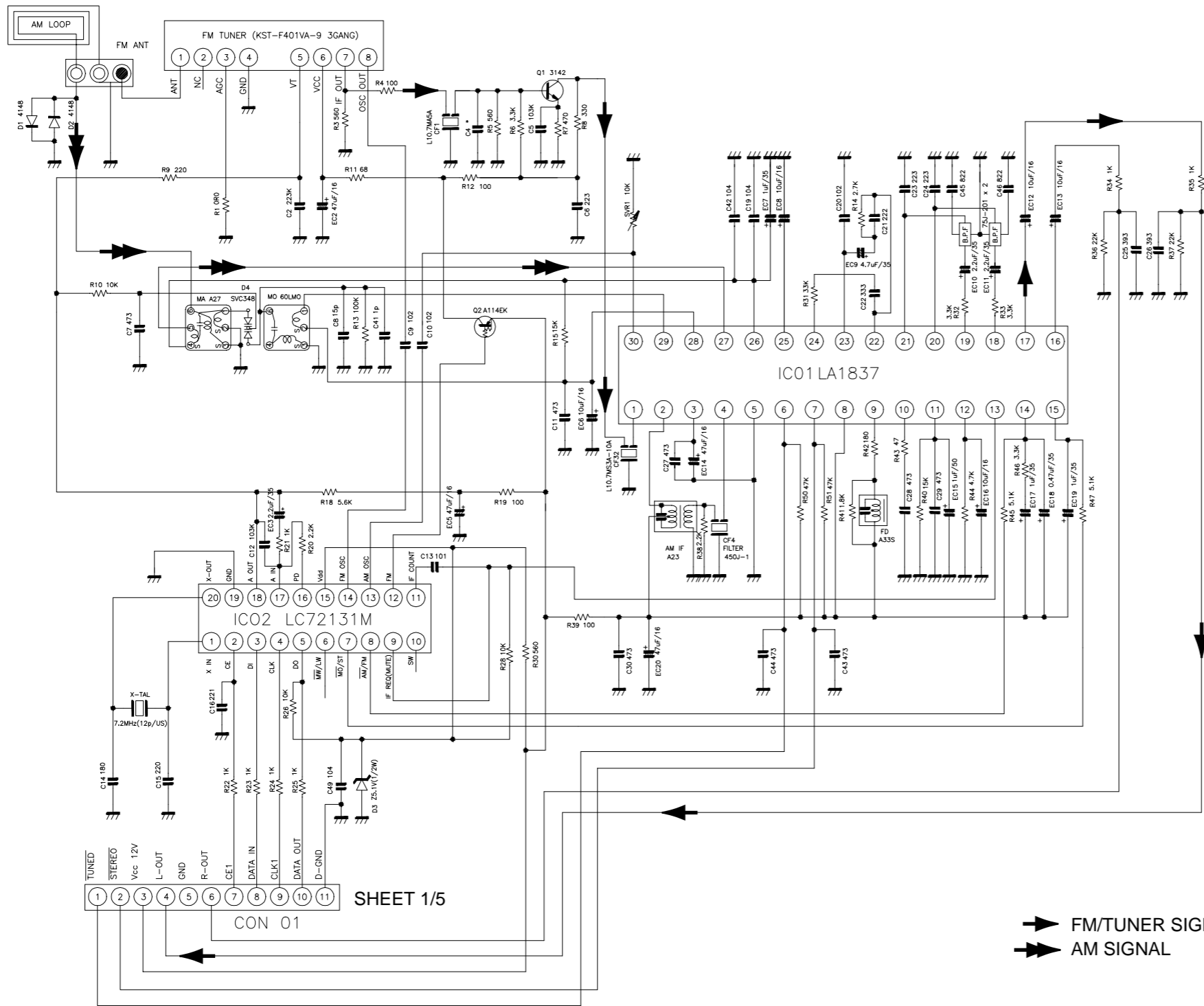
⚠ Parts are safety assurance parts. When replacing those parts make sure to use the specified one.

SHEET 3/5

SHEET 4/5

■ Tuner section

5
4
3
2
1

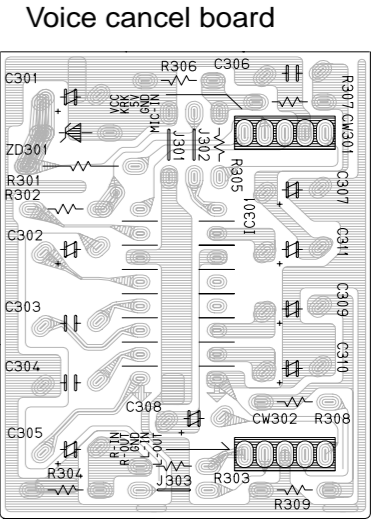
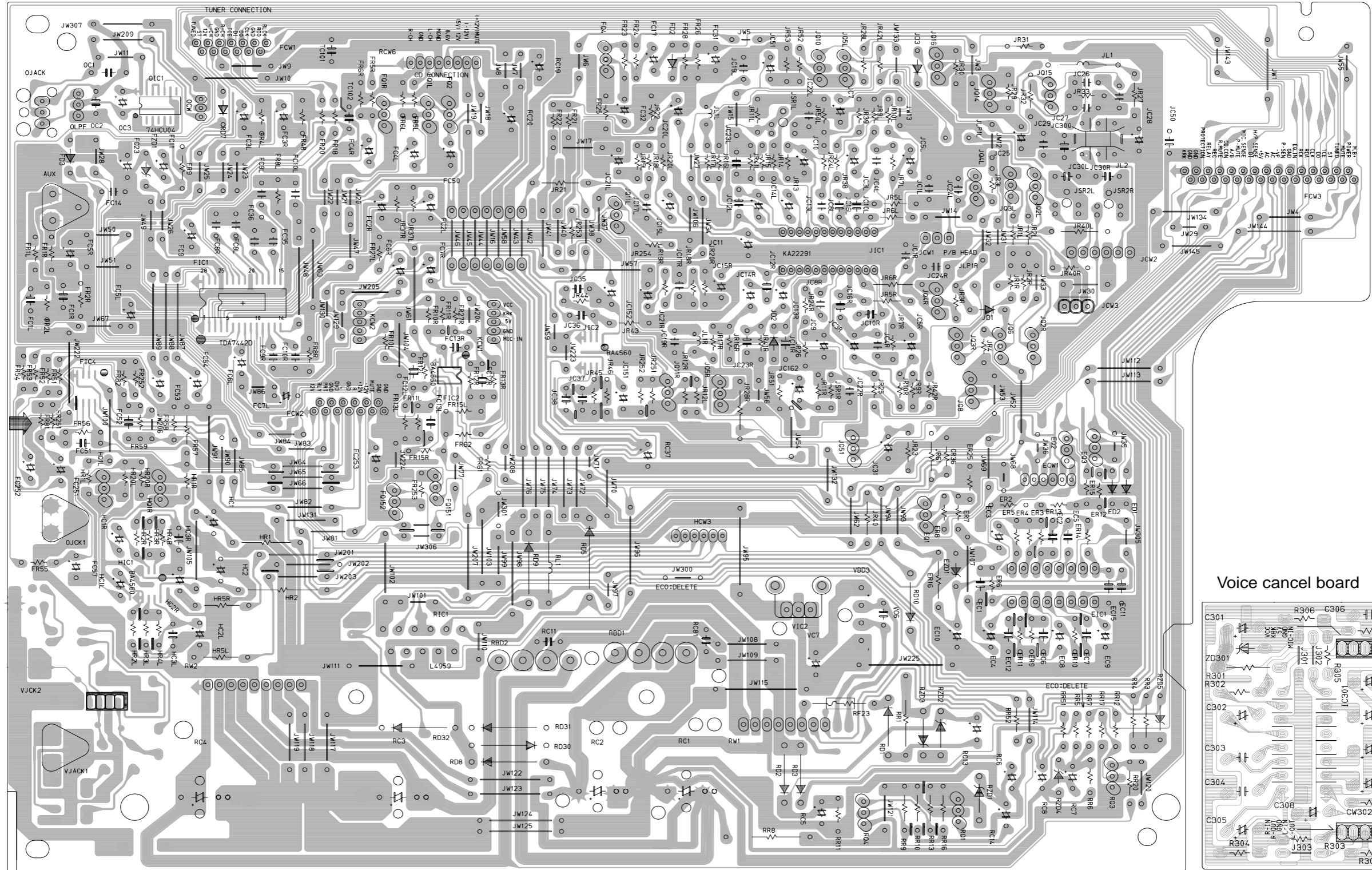


 FM/TUNER SIGNAL
 AM SIGNAL

A | B | C | 2-6 | D | E | F | G | H

Printed circuit boards

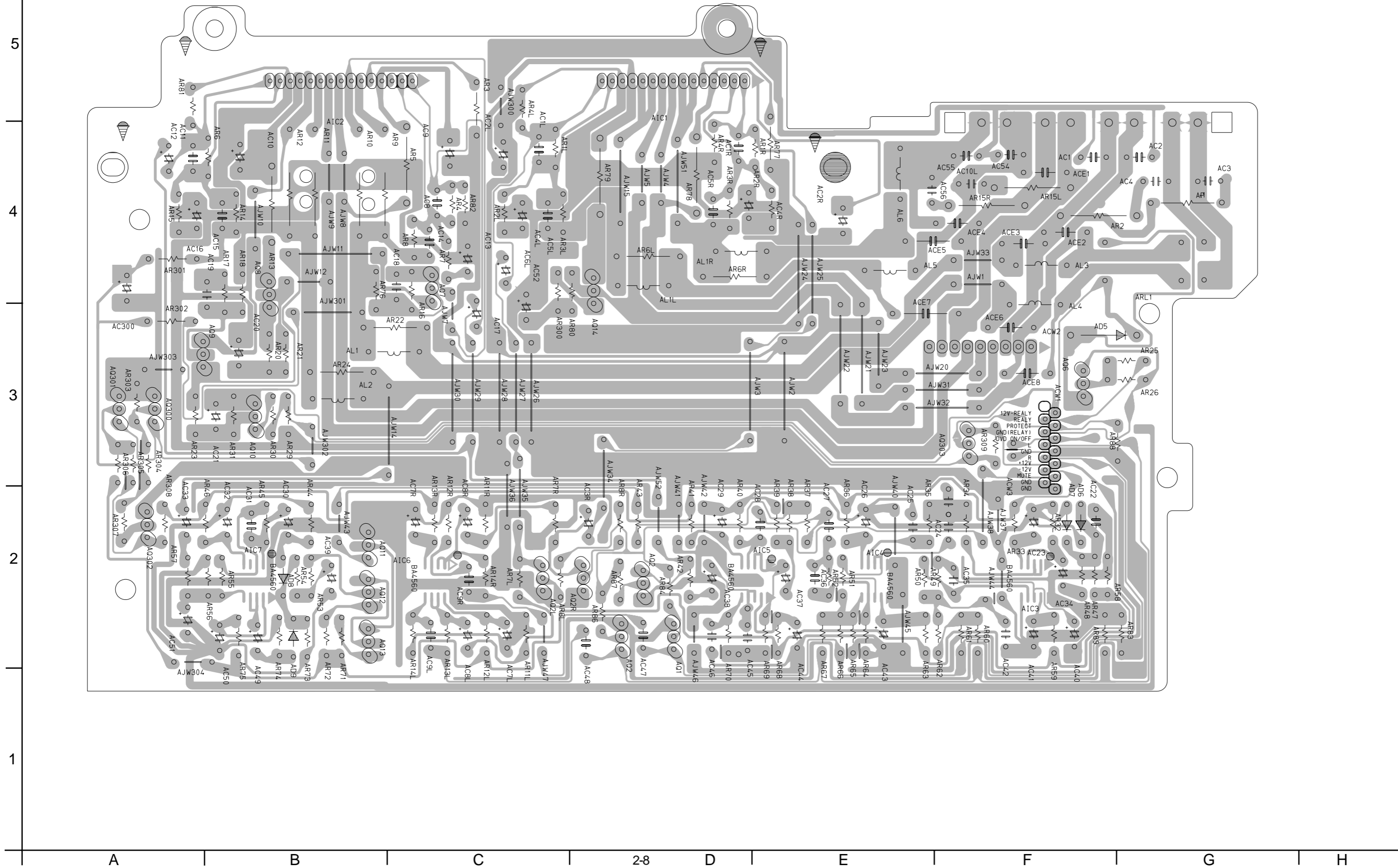
■ Main board



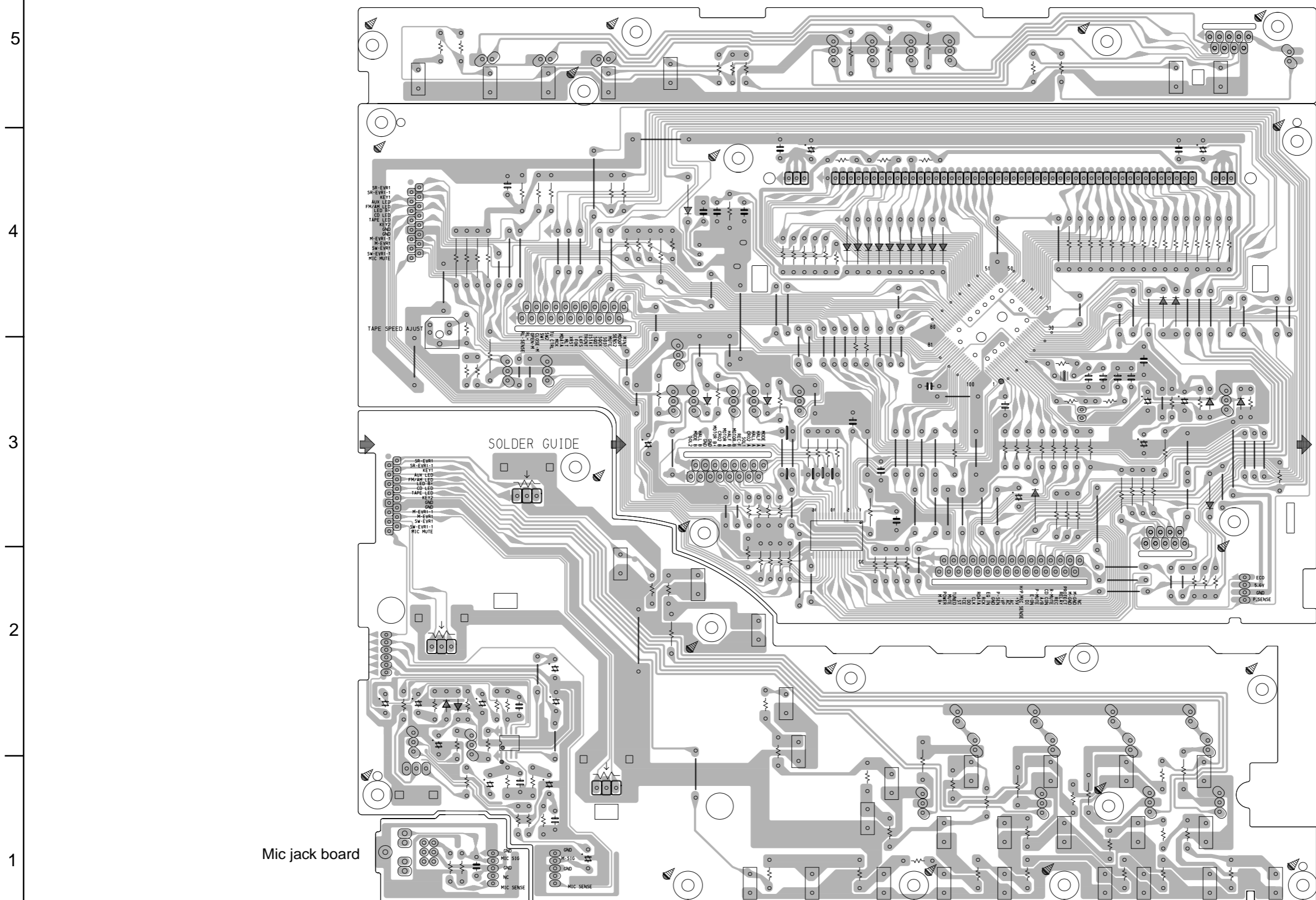
5
4
3
2
1

A B C D E F G 27

■ AMP board



■ Front board



Power / CD switch board

FL display & system control board

Front key switch board

Mic jack board

■ CD Servo control board

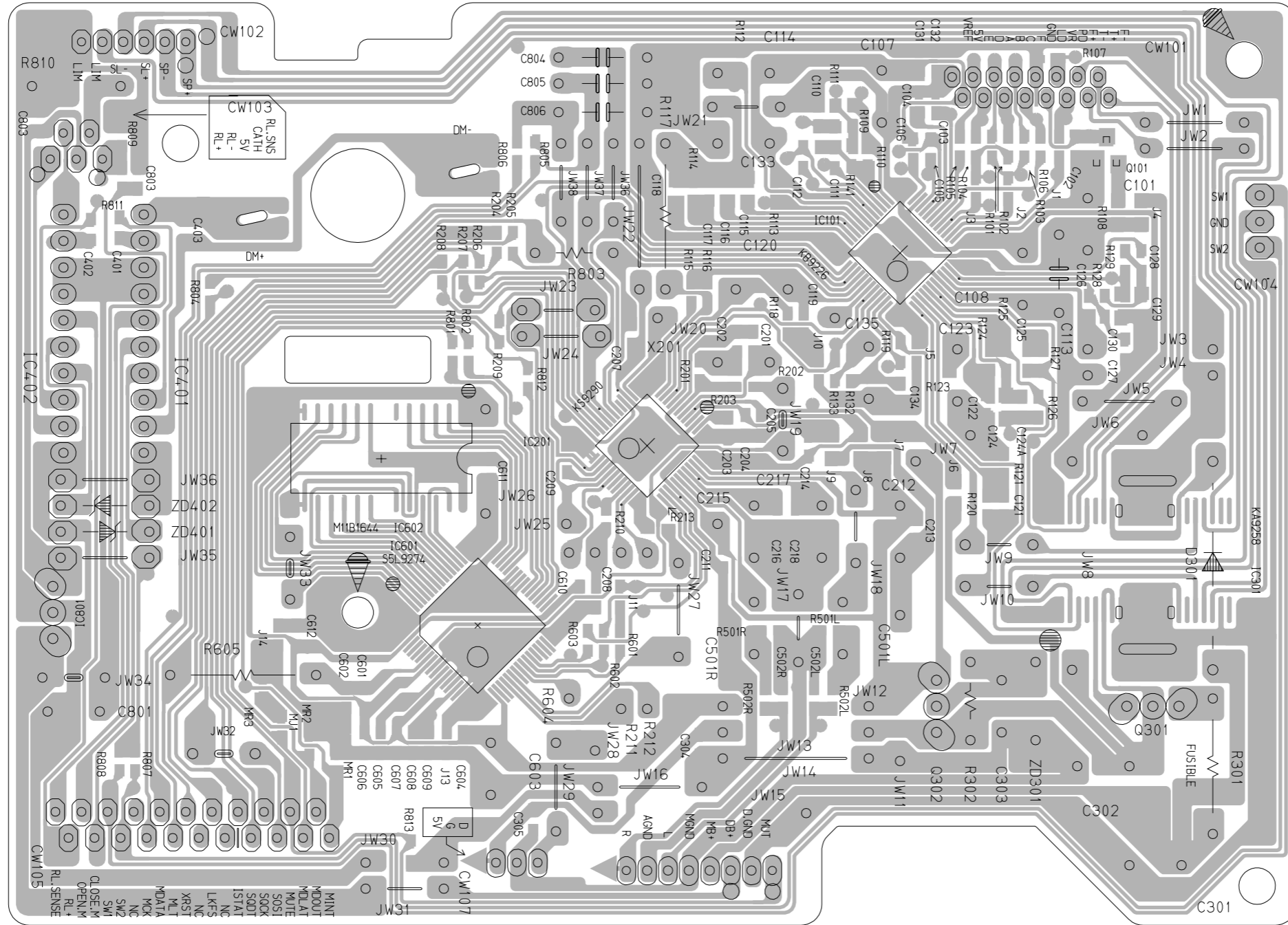
5

4

3

2

1



A

B

C

2-10

D

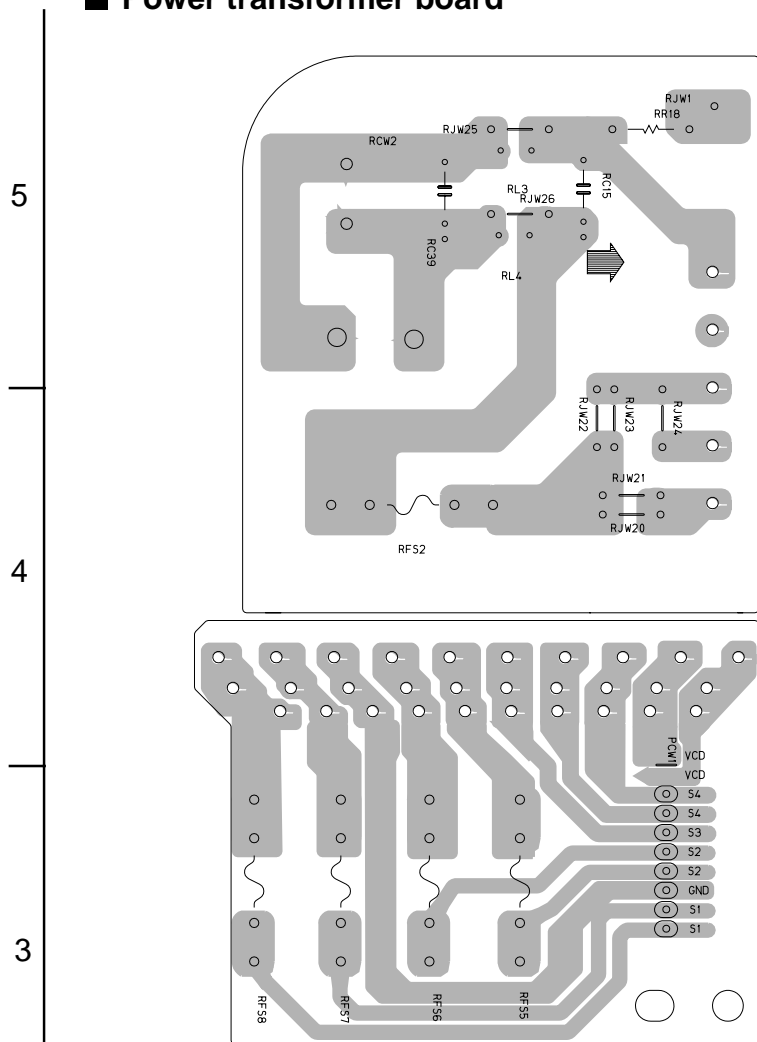
E

F

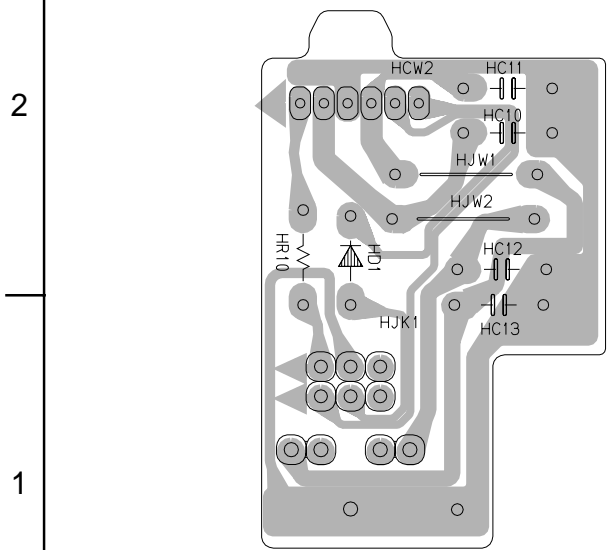
G

H

■ Power transformer board

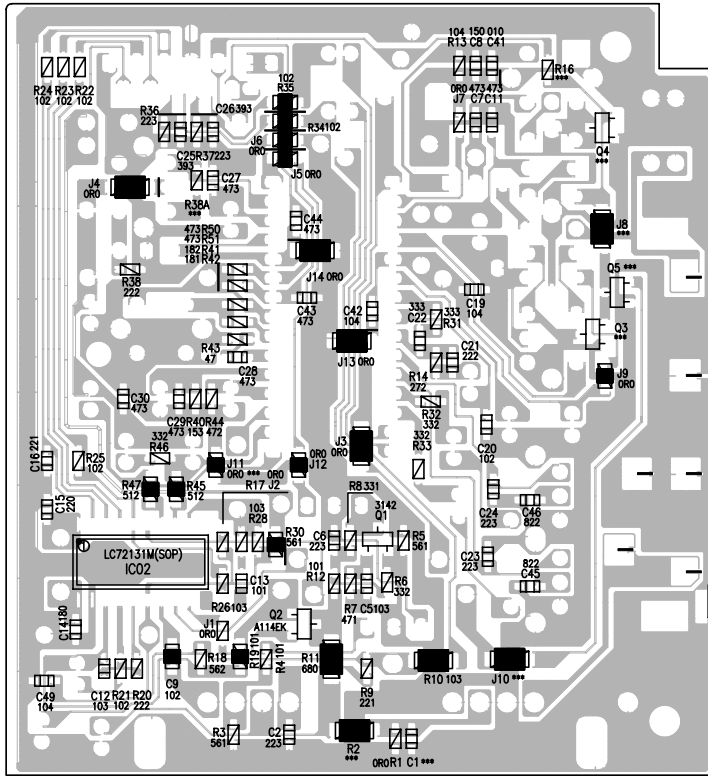


■ Head phone board



■ Tuner board

Reverse side



Front side

